

# GENERAL PNEUMATICS CORPORATION

## CABLE OPERATED BALL VALVE AND REGULATOR



**PART NO. 515 GPS SERIES**

### SPECIFICATION:

#### ■ **PRESSURE:**

Inlet (Operating): 1500 to 3200 PSIG  
Out (Regulated): 300 to 600 PSIG – flat line curve (adjustable to customer specification)  
Proof: 5000 PSIG  
Burst: 7500 PSIG (min.)

#### ■ **TEMPERATURE RANGE:**

Operating: -65 to +160°F (-54 to +71°C)

#### ■ **MEDIUM:**

Dry air, carbon dioxide or nitrogen

#### ■ **FLOW:**

Equivalent to .422 DIA. orifice

#### ■ **LEAKAGE:**

Bubble tight up to 3000 PSIG

#### ■ **LIFE:**

50 cycles (min.)

#### ■ **WEIGHT:**

2.19 lb. (max.) without optional pressure gage (weight depends on model), gage protector shell (.085 lb), and siphon tube (.045 lb.)

#### ■ **OPERATION:**

To arm: Engage cable ball end in pulley and inert 3/16 hex key in pulley socket. Lift lock pin, rotate pulley counter-clockwise with hex key until pin aligns with mark ▲, release lock pin. Detent will engage. To actuate: Pull cable. (Max. pull force required is 25 lbs.)

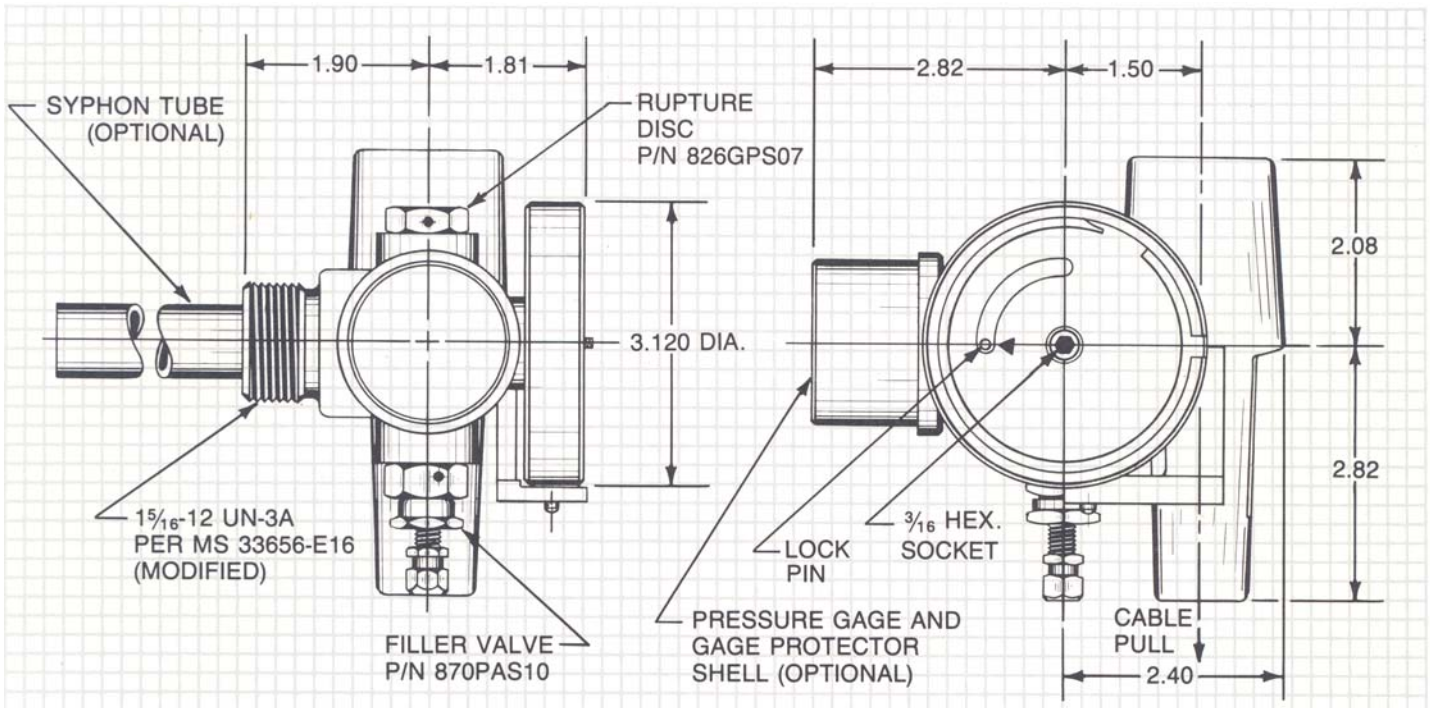
### MATERIALS:

Anodized aluminum, stainless steel, soft seat, and Buna-N

### APPLICATIONS:

Used when mechanical actuation/initiation of a pressure regulated gas flow is required. Typical applications include rapid inflation of life rafts and emergency slide evacuation systems for military and commercial aircraft.

**Note:** Other valve configurations with alternate feature orientations available upon request.



**GENERAL PNEUMATICS**  
CORPORATION

[www.gpcvalves.com](http://www.gpcvalves.com)

Corporate Headquarters  
440 Washington Street  
Orange, NJ 07050  
Ph: 973-678-6555 FAX: 973-678-9632

Western Research Center  
3616 W. Thomas Rd., Ste. 1  
Phoenix, AZ 85019  
Ph: 602-278-5678 FAX: 602-278-5614