

GENERAL PNEUMATICS CORPORATION



PART NO. 520 GPS SERIES

SPECIFICATION:

■ **PRESSURE:**

Inlet (Operating): 1500 to 3200 PSIG
Out (Regulated): 270 to 460 PSIG – flat line curve (adjustable to customer specification)
Proof: 5000 PSIG
Burst: 7500 PSIG (min.)

CABLE OPERATED BALL VALVE AND REGULATOR

■ **TEMPERATURE RANGE:**

Operating: -65 to +160°F (-54 to +71°C)

■ **MEDIUM:**

Dry air, carbon dioxide or nitrogen

■ **FLOW:**

Equivalent to .422 DIA. orifice

■ **LEAKAGE:**

Bubble tight up to max. operating pressure.

■ **LIFE:**

50 cycles (min.)

■ **WEIGHT:**

1.7 lb. (max.) without optional pressure gage (weight depends on model), gage protector shell (.085 lb), and siphon tube (.033 lb.)

■ **OPERATION:**

To arm: Engage cable ball end in pulley and inert 3/16 hex key in pulley socket. Lift lock pin, rotate pulley counter-clockwise with hex key until pin aligns with mark ▲, release lock pin. Detent will engage. To actuate: Pull cable. (Max. pull force required is 20 lbs.)

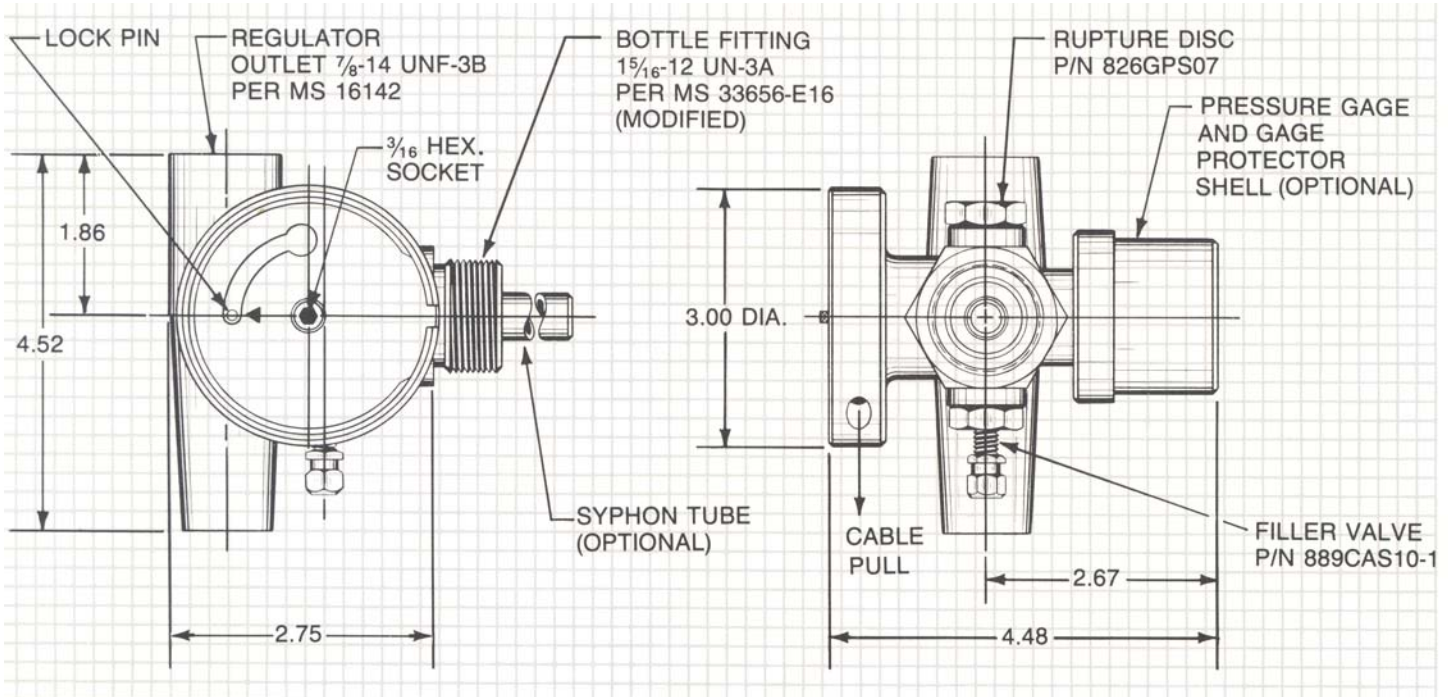
MATERIALS:

Anodized aluminum, stainless steel, soft seat, and Buna-N

APPLICATIONS:

Used when mechanical actuation/initiation of a pressure regulated gas flow is required. Typical applications include rapid inflation of life rafts and emergency slide evacuation systems for military and commercial aircraft.

Note: Other valve configurations with alternate feature orientations available upon request.



GENERAL PNEUMATICS
CORPORATION

www.gpcvalves.com

Corporate Headquarters
440 Washington Street
Orange, NJ 07050
Ph: 973-678-6555 FAX: 973-678-9632

Western Research Center
3616 W. Thomas Rd., Ste. 1
Phoenix, AZ 85019
Ph: 602-278-5678 FAX: 602-278-5614

