

# GENERAL PNEUMATICS CORPORATION

## CABLE OPERATED BALL VALVE AND REGULATOR



### PART NO. 524 GPS SERIES

#### SPECIFICATION:

##### ■ **PRESSURE:**

Inlet (Operating): 1500 to 3000 PSIG  
 Out (Regulated): 150 to 300 PSIG – raising curve (adjustable to customer specification)  
 Proof: 4500 PSIG  
 Burst: 7500 PSIG (min.)

##### ■ **TEMPERATURE RANGE:**

Operating: -65 to +160°F (-54 to +71°C)

##### ■ **MEDIUM:**

Dry air, carbon dioxide or nitrogen

##### ■ **FLOW:**

Equivalent to .213 DIA. orifice

##### ■ **LEAKAGE:**

Bubble tight up to max. operating pressure.

##### ■ **LIFE:**

50 cycles (min.)

##### ■ **WEIGHT:**

1.5 lb. (max.) without optional pressure gage (weight depends on model), gage protector shell (.09 lb), and siphon tube (.03 lb.)

##### ■ **OPERATION:**

To arm: Engage cable ball end in pulley and inert 3/16 hex key in pulley socket. Rotate pulley counterclockwise with hex key until pin aligns with mark ▲. Detent will engage. To actuate: Pull cable. (Max. pull force required is 18 lbs.)

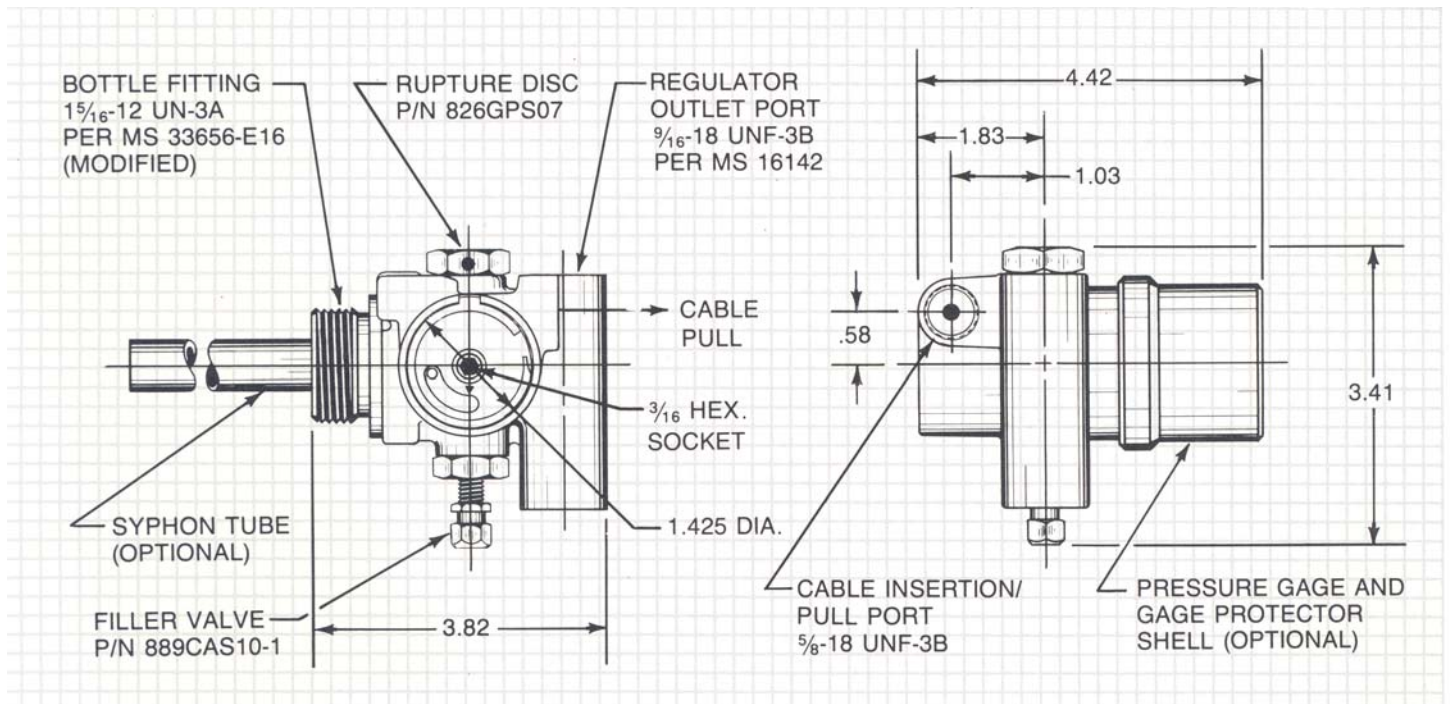
##### **MATERIALS:**

Anodized aluminum, stainless steel, soft seat, and Buna-N

##### **APPLICATIONS:**

Used when mechanical actuation/initiation of a pressure regulated gas flow is required. Typical applications include rapid inflation of life rafts and emergency slide evacuation systems for military and commercial aircraft.

**Note:** Other valve configurations with alternate feature orientations available upon request.



**GENERAL PNEUMATICS**  
CORPORATION

[www.gpcvalves.com](http://www.gpcvalves.com)

Corporate Headquarters  
 440 Washington Street  
 Orange, NJ 07050  
 Ph: 973-678-6555 FAX: 973-678-9632

Western Research Center  
 3616 W. Thomas Rd., Ste. 1  
 Phoenix, AZ 85019  
 Ph: 602-278-5678 FAX: 602-278-5614

